

PRODUCT BASIC INFORMATION

VMH 35

Best Performances in Outdoor Environments



VMH 35

Stylish black glass cockpit design / slim panel profile / powerful core

KEY FEATURES

- ▶ Stylish black-glass design with brushed stainless-steel ring
- ▶ New generation sun-readable color hybrid display
- ▶ Intelligent Battery Sensor (IBS) port
- ▶ Analog to NMEA 2000® gateway
- ▶ Integrated high-performance GNSS receiver
- ▶ NMEA 2000® certified

Designed with stylish mineral glass front lens framed by a brushed stainless-steel ring, it can display a wealth of critical boat system data in a compact package that's perfect for cockpits on smaller vessels with limited space.

The VMH 35 has an embedded GNSS receiver to support and show navigation information, while it is able to monitor analogue input directly, such as fuel, trim, and tachometer. A special input is dedicated to the Veratron IBS (Intelligent Battery Sensor). It can provide critical 12V battery monitoring information. All these data are distributed to NMEA 2000® thanks to its embedded certified gateway.



Setup local alarms and send them to other devices via NMEA 2000®



The finest quality in every detail



Water-sealed connector and NMEA 2000® DeviceNet plug

GPS DATA

Navigation system	GPS, GLONASS, Galileo
Update rate	10 Hz
Channels	72
Tracking sensitivity	-165 dBm
Time to first fix (hot start)	1 s
Time to first fix (cold start)	30s
Position accuracy	2.5 m
Velocity accuracy	0.05 m/s
Heading accuracy	0.3°

TECHNICAL DATA

Operating voltage	12V
Voltage range	9-16 V
Protection class	IP X7
Flammability	UL94 compliant
Power consumption	≤ 15 mA (normal mode) ≤ 120 µA (sleep mode)
Dimensions	Ø 100 (Ø 85 mm mounting)
Active area	Ø 83 mm (optically bonded display)
Central display	1.44", 128 x 128 Pixel
Lens	Mineral glass
Buttons	2 silicon buttons
Ring	Brushed stainless steel
Operating temperature	-20°C to 60°C
Storage temperature	-30°C to 80°C
Plugs	Molex MX-150, 12 pins DeviceNet M12, 5 pins



**Best performances
in outdoor environments**





The perfect device for outboard engines' monitoring

TFT DISPLAYED DATA

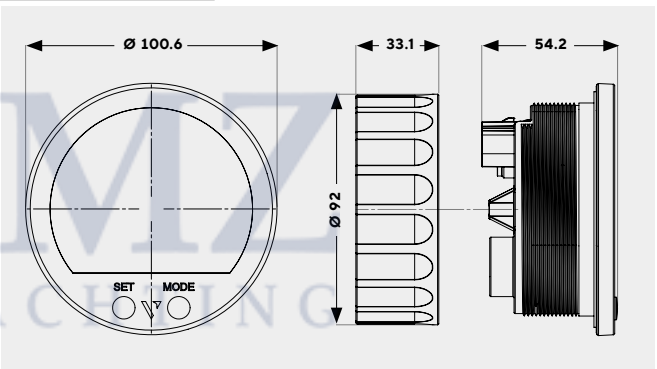
Freshwater Level	Fuel Consumption
Wastewater Level	Fuel Level
Rudder Angle	Coolant Temperature
Trim	Coolant Pressure
GPS Position	Engine Oil Temperature
Course Over Ground	Engine Oil Pressure
Engine Speed (RPM)	Boost Pressure
Seawater Temperature	Ammeter
Depth	Battery Voltage
Clock	Battery State of Charge
Hour Counter (Total+Trip)	Battery State of Health
Trip Distance	Battery Autonomy
Total Fuel Used	Battery Temperature
Total Fuel	

ADDITIONAL DISPLAYED DATA

✓ Engine Speed	✓ Gear position
✓ Boat Speed (SOG or STW)	✓ 6 x Alarm telltales



DIMENSIONS



NMEA PGNS

GPS Almanac Data	126992	Engine Parameters, Dynamic	127489	Battery Status	127508
Rudder	127245	Fluid Level	127505	COG & SOG, Rapid Update	129026
Engine Parameters, Rapid Update	127488	DC Detailed Status	127506	GNSS Position Data	129029

KIT

Outboard Engine Kit (incl. VMH35 Display, IBS 12V 250 A/h with battery adapter, wire harness 6m with connectors for level sensor and IBS and bullets terminals for tachometer trim and powersupply) **B00062402**

» **STYLISH DESIGN AND POWERFUL CORE**



ART. NR. B00109901

VMH 14



- ▶ VMH look-and-feel
- ▶ Digital display with visual bargraph
- ▶ Easylink interface
- ▶ Up to 16 satellites
- ▶ Configurable with your smartphone via Airlink
- ▶ Trim, Voltmeter, Fuel Level, Water Temperature, Transmission Oil Temp. and Pressure, Engine Oil Temp. and Pressure



**OUTDOOR INSTRUMENTATION
ENGINEERED IN SWITZERLAND**



Veratron AG / Industriestrasse 18 / 9464 Rüthi / Switzerland
T +41 71 7679 111 / info@veratron.com / veratron.com

The information provided in this brochure contains only general descriptions or performance characteristics, which do not always apply as described in case of actual use or which may change as a result of further development of the products. This information is merely a technical description of the product. It is not meant or intended to be a special guarantee for a particular quality or particular durability. An obligation to provide the respective characteristics shall only exist if expressly agreed in the terms of contract. We reserve the right to make changes in availability as well as technical changes without prior notice.